

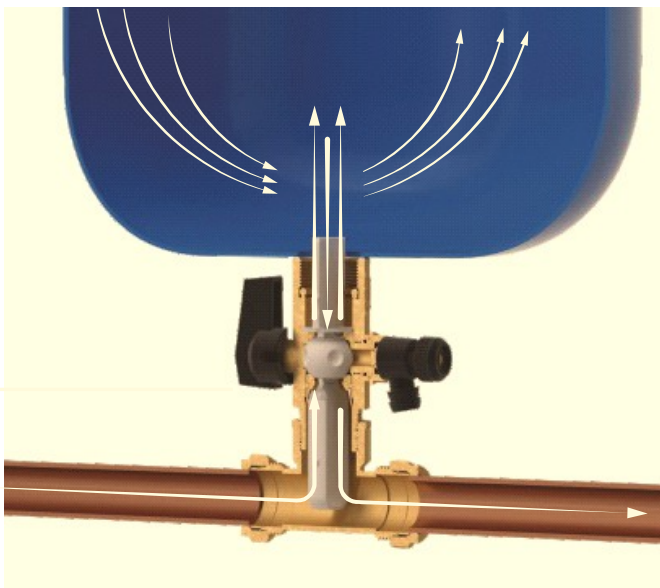
Zilmet Flow Through Valve



Features

- Removable flow paddle ✓
- Anti-Tamper control handle ✓
- Bespoke flow paddle ✓
- Reduces the risk of water stagnation ✓
- Incorporated isolation valve ✓
- Drain valve for the effective draining of the expansion vessel ✓
- Independently tested to be 99% effective ✓

Operating Principle



Technical Specification

Vessel Connection	$\frac{3}{4}$ " / 1" / 1 $\frac{1}{4}$ " / 1 $\frac{1}{2}$ " BSP or NPT
Maximum operating pressure	16 Bar
Maximum operating temperature	85°C

Product Range

Description	Part Code
$\frac{3}{4}$ " Flow Through Valve	FTV34
1" Flow Through Valve	FTV01
1 $\frac{1}{4}$ " Flow Through Valve	FTV114
1 $\frac{1}{2}$ " Flow Through Valve	FTV112



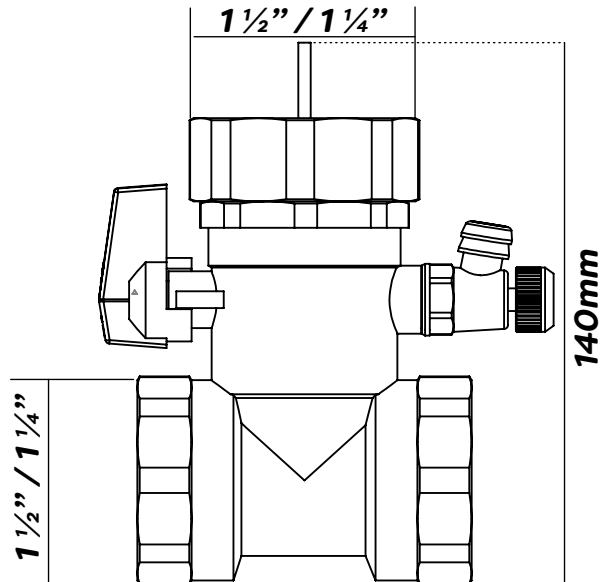
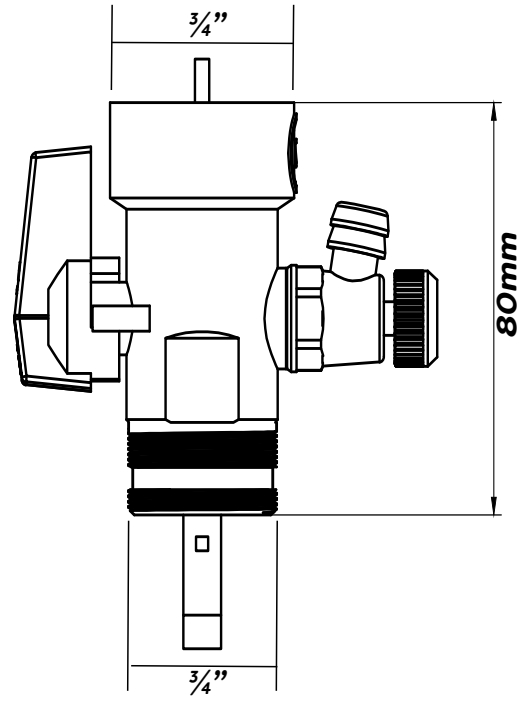
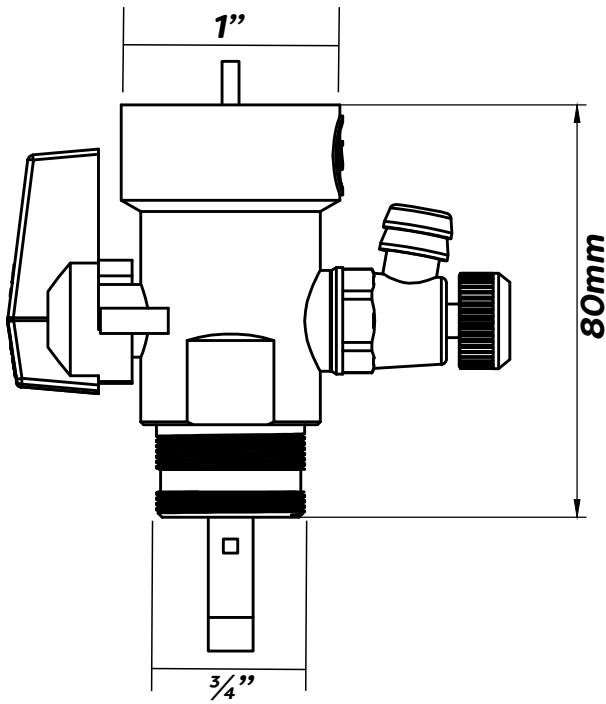
Headquarters

Via del Santo, 242 - 35010 Limena (PD) -
Italy Tel +39 049 7664901
Fax +39 049 767321
www.zilmet.it
info@zilmet.it

UK Office

Zilmet UK
Airfield Industrial Estate
Hixon, ST18 0PF
www.zilmet.co.uk
sales@zilmet.co.uk

Dimensions



Headquarters

Via del Santo, 242 - 35010 Limena (PD) -
Italy Tel +39 049 7664901
Fax +39 049 767321
www.zilmet.it
info@zilmet.it

UK Office

Zilmeter UK
Airfield Industrial Estate
Hixon, ST18 0PF
www.zilmet.co.uk
sales@zilmet.co.uk