



Product

- 11A0003535 - 35L Hydro-Plus Potable Floor Standing Expansion Vessel
- 11A0005035 - 50L Hydro-Plus Potable Floor Standing Expansion Vessel
- 11A0008035 - 80L Hydro-Plus Potable Floor Standing Expansion Vessel
- 11A0010535 - 105L Hydro-Plus Potable Floor Standing Expansion Vessel
- 11A0012935 - 129L Hydro-Plus Potable Floor Standing Expansion Vessel
- 11A0015035 - 150L Hydro-Plus Potable Floor Standing Expansion Vessel
- 11A0020735 - 207L Hydro-Plus Potable Floor Standing Expansion Vessel
- 11A0025035 - 250L Hydro-Plus Potable Floor Standing Expansion Vessel
- 11A0030035 - 300L Hydro-Plus Potable Floor Standing Expansion Vessel
- 11A0045035 - 450L Hydro-Plus Potable Floor Standing Expansion Vessel
- 11A0050035 - 500L Hydro-Plus Potable Floor Standing Expansion Vessel
- 11A0060035 - 600L Hydro-Plus Potable Floor Standing Expansion Vessel

Technical Specification

Operating Temperatures:	-10°C - 99°C
Max Working Pressure:	10 Bar
Pre Charge Pressure:	2 Bar
Shell:	MIG Welded Carbon Steel
Connection:	Stainless Steel
Membrane:	Butyl

Dimensions

CODE	MODEL	COLOR	NOM. VOL. (litres)	ØD (mm)	H (mm)	E (mm)	ØC
11A0003535	VERTICAL	ALMOND	35	380	367	135	G 1
11A0005035	VERTICAL	ALMOND	50	380	505	153	G 1
11A0008035	VERTICAL	ALMOND	80	450	683	40	G 1
11A0010535	VERTICAL	ALMOND	105	500	741	40	G 1 1/4
11A0012935	VERTICAL	ALMOND	129	500	862	40	G 1 1/4
11A0015035	VERTICAL	ALMOND	150	500	973	40	G 1 1/4
11A0020735	VERTICAL	ALMOND	207	500	1246	40	G 1 1/4
11A0025035	VERTICAL	ALMOND	250	630	1045	52	G 1 1/4
11A0030035	VERTICAL	ALMOND	300	630	1193	52	G 1 1/4
11A0045035	VERTICAL	ALMOND	450	630	1745	52	G 1 1/4
11A0050035	VERTICAL	ALMOND	500	750	1340	290	G 1 1/4
11A0060035	VERTICAL	ALMOND	600	750	1460	290	G 1 1/4



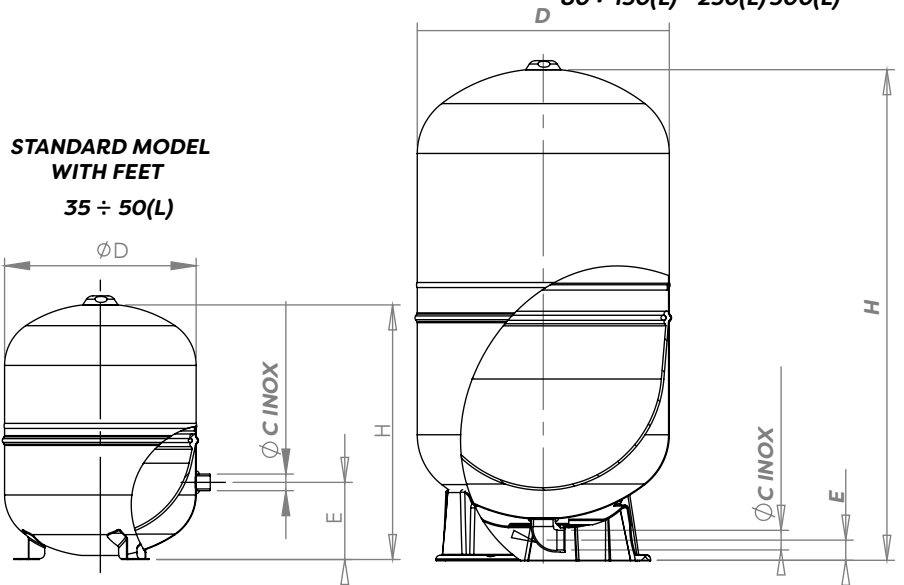
Additional Information

- 5 years warranty
- Complete with polypropylene base
- 100% factory tested
- Externally finished in a hard wearing epoxy powder coating
- Fixed butyl membrane designed to avoid any water stagnation.
- Fully certified according to the pressure equipment directive 2014/68/EU
- Scan here for more information and the vessel sizing calculator!



Scan for Vessel Sizing Calculator

STANDARD MODEL WITH TECHNOPOLYMER BASE
80 ÷ 150(L) - 250(L) 300(L)



Dimensions continued on page 2

Zilmet UK Limited, Airfield Industrial Estate, Hixon,
Stafford, ST18 0PF

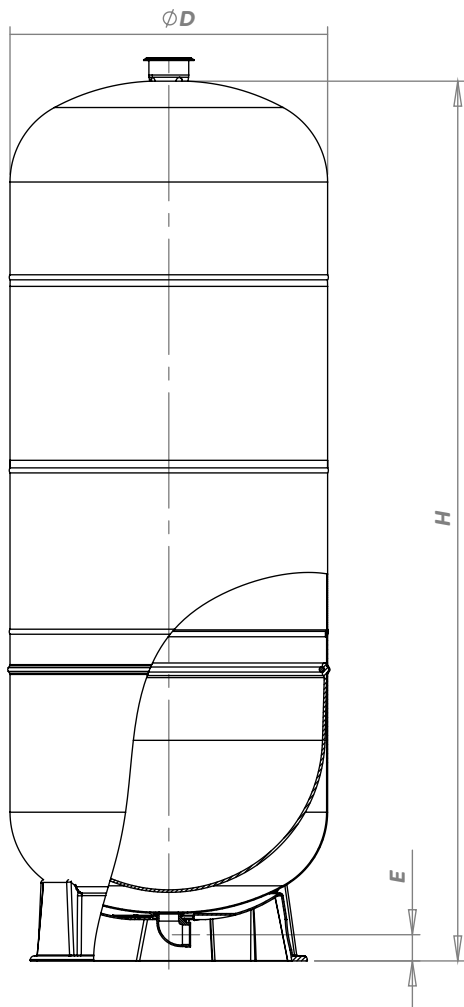
T. 01889 272185 E. sales@zilmet.co.uk



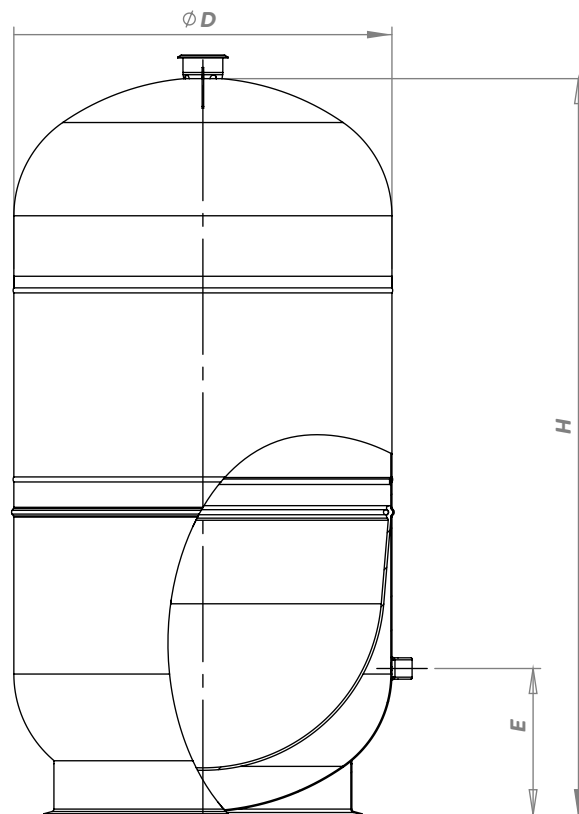
Dimensions

CODE	MODEL	COLOR	NOM. VOL. (litres)	ØD (mm)	H (mm)	E (mm)	ØC
11A0003535	VERTICAL	ALMOND	35	380	367	135	G 1
11A0005035	VERTICAL	ALMOND	50	380	505	153	G 1
11A0008035	VERTICAL	ALMOND	80	450	683	40	G 1
11A0010535	VERTICAL	ALMOND	105	500	741	40	G 1 1/4
11A0012935	VERTICAL	ALMOND	129	500	862	40	G 1 1/4
11A0015035	VERTICAL	ALMOND	150	500	973	40	G 1 1/4
11A0020735	VERTICAL	ALMOND	207	500	1246	40	G 1 1/4
11A0025035	VERTICAL	ALMOND	250	630	1045	52	G 1 1/4
11A0030035	VERTICAL	ALMOND	300	630	1193	52	G 1 1/4
11A0045035	VERTICAL	ALMOND	450	630	1745	52	G 1 1/4
11A0050035	VERTICAL	ALMOND	500	750	1340	290	G 1 1/4
11A0060035	VERTICAL	ALMOND	600	750	1460	290	G 1 1/4

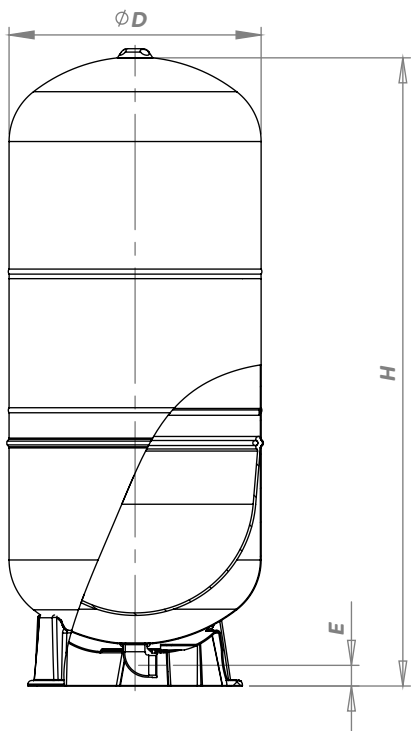
**STANDARD MODEL WITH
TECHNOPOLYMER BASE
450(L)**



**STANDARD MODEL WITH
CARBON STEEL BASE
500-600(L)**



**STANDARD MODEL WITH
TECHNOPOLYMER BASE
207(L)**



Scan for Vessel
Sizing Calculator

**Zilmet UK Limited, Airfield Industrial Estate, Hixon,
Stafford, ST18 0PF**

T. 01889 272185 E. sales@zilmet.co.uk

10/2024
E&OE