



Product

11E0000500 - 5L Hydro-Plus Potable Wall Mounted Expansion Vessel

11E0000800 - 8L Hydro-Plus Potable Wall Mounted Expansion Vessel

11E0001200 - 12L Hydro-Plus Potable Wall Mounted Expansion Vessel

11E0001800 - 18L Hydro-Plus Potable Wall Mounted Expansion Vessel

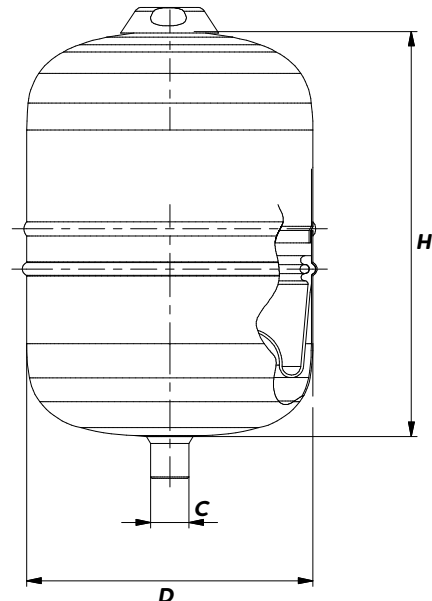
11E0002400 - 24L Hydro-Plus Potable Wall Mounted Expansion Vessel

Technical Specification

Operating Temperatures:	-10°C - 99°C
Max Working Pressure:	10 Bar
Pre Charge Pressure:	2 Bar
Shell:	MIG Welded Carbon Steel
Connection:	Stainless Steel
Membrane:	Butyl

Dimensions

Part Code	Diameter ØD(mm)	Height H(mm)	Connection ØC (BSP)
11E0000500	160	270	3/4"
11E0000800	160	280	3/4"
11A0001200	160	264	3/4"
11A0001800	160	349	3/4"
11E0002400	160	392	1"



Additional Information

Internal polypropylene liner

5 years warranty

100% factory tested

Externally finished in a hard wearing epoxy powder coating

Fixed butyl membrane designed to avoid any water stagnation.

Fully certified according to the pressure equipment directive 2014/68/EU

Scan here for more information and the vessel sizing calculator!



Scan for Vessel Sizing Calculator

Zilmet UK Limited, Airfield Industrial Estate, Hixon, Stafford, ST18 0PF

T. 01889 272185 E. sales@zilmet.co.uk

10/2024
E&OE