

# TRADE-TEC



## Product

130G000802 - TRADE TEC 8LTR HEATING VESSEL

130G001202 - TRADE TEC 12LTR HEATING VESSEL

130G001802 - TRADE TEC 18LTR HEATING VESSEL

130G002502 - TRADE TEC 25LTR HEATING VESSEL

130G003516 - TRADE TEC 35LTR HEATING VESSEL

## Technical Specification

Max Working Pressure: 4 Bar

Max Working Temperature: 99°C

Pre Charge: 1 Bar

Membrane: Synthetic rubber

## Features

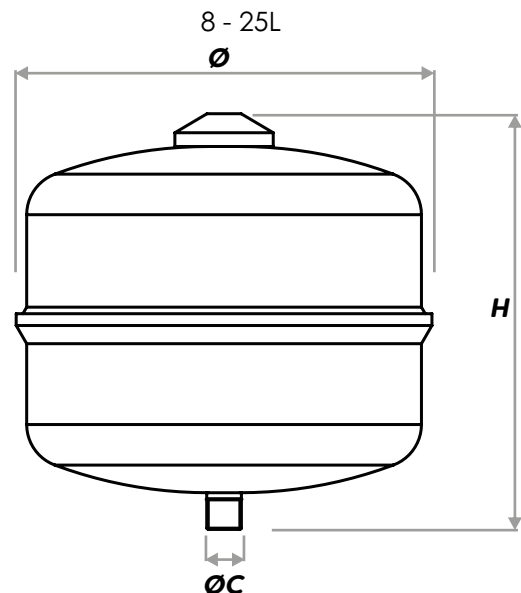
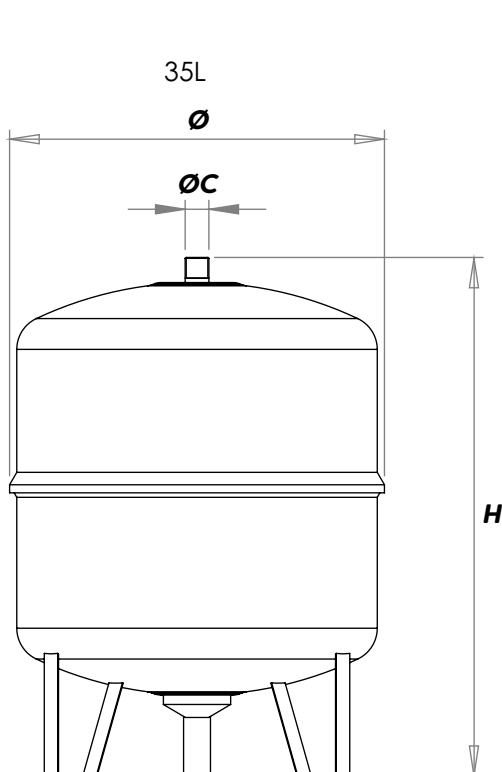
Powder coated exterior finish

100% Factory tested

Suitable for multiple types of heating systems

2 years manufacturing warranty

## Drawings



Capacity (L)	Height H	Diameter Ø	Connection ØC
8	338	217	3/4"
12	334	267	3/4"
18	299	317	3/4"
25	341	317	3/4"
35	478	368	3/4"