



VOLUMISER Technical Datasheet

Dimensional Data

Code	Capacity (Ltr)	Ø Diameter	(H) Height	E	Connection
11A0001255	12	270mm	264mm	-	No2 x 1" G
11A0001867	18	270mm	349mm	-	No2 x 1" G
11A0002467	24	300mm	392mm	-	No2 x 1" G
11A0003527	35	380mm	367mm	135	No2 x 1" G
11A0005047	50	380mm	505mm	153	No2 x 1" G



Technical Data

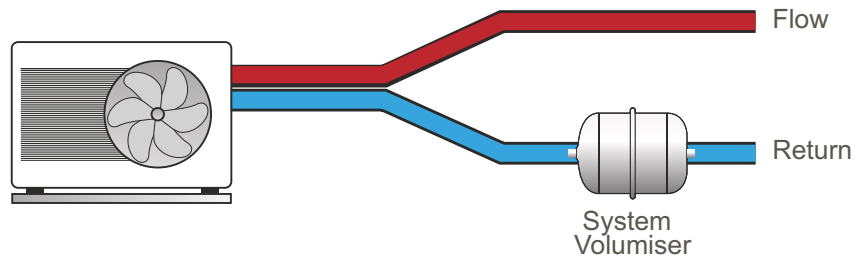
Maximum operating pressure	10 bar
Operating temperature	-10°C - 120°C

Material Specification

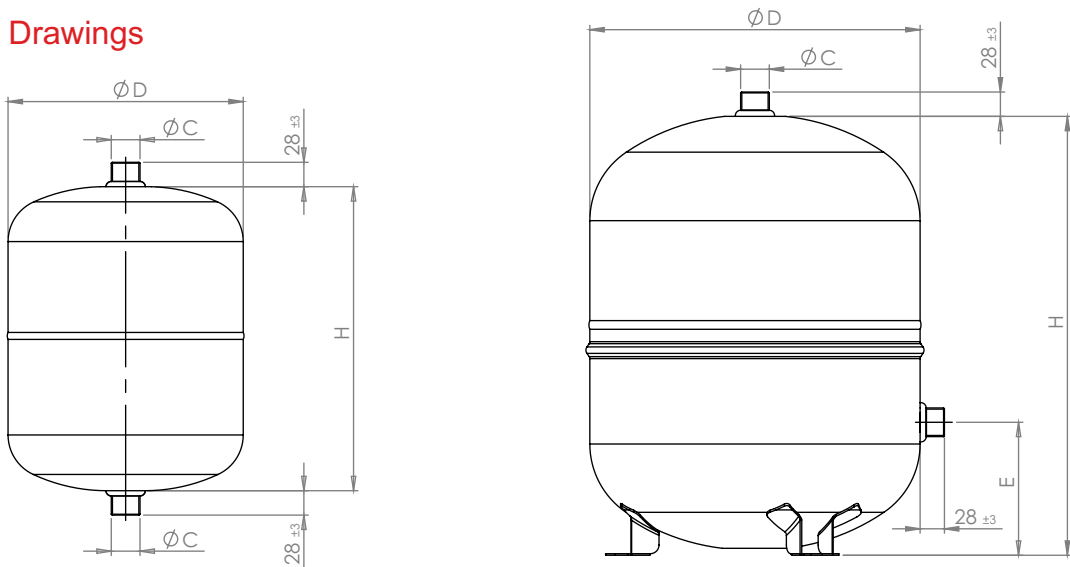
Description	Material
Shell	Mig Welded Carbon Steel
Connections	Carbon Steel
Colour	White

Installation Example

Air Source Heat Pump



Drawings



Zilmet UK, Airfield Industrial Estate, Hixon,
Stafford, ST18 0PF

T. 01889 272185 E. sales@zilmet.co.uk W. www.zilmet.co.uk