

## Product

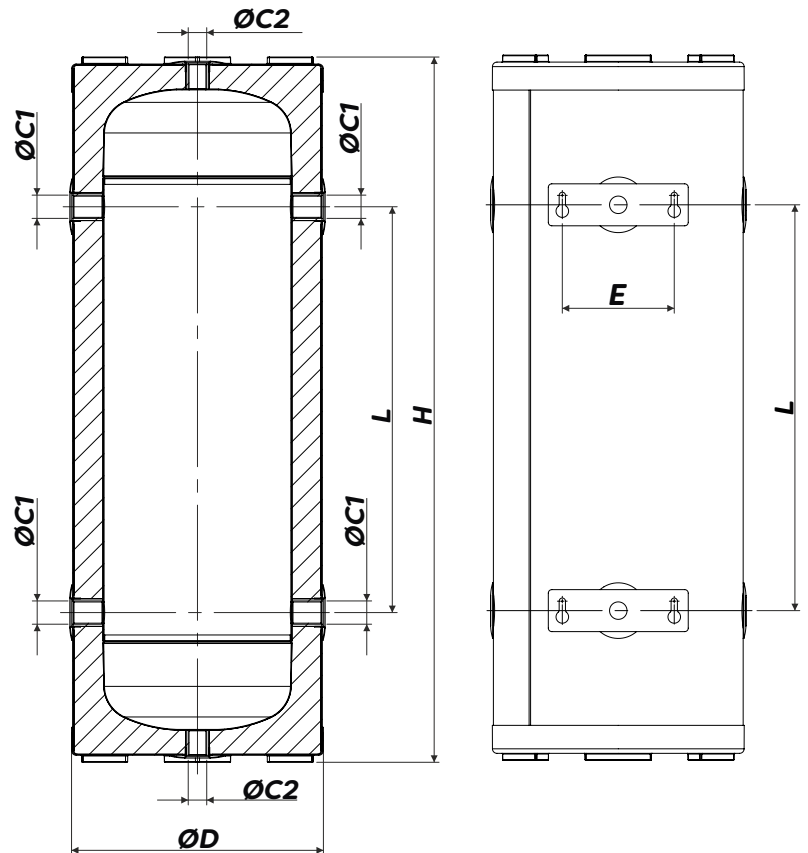
16B0002500 - 25L Insulated Buffer Vessel  
 16B0005000 - 50L Insulated Buffer Vessel  
 16B0008000 - 80L Insulated Buffer Vessel  
 16B0001000 - 100L Insulated Buffer Vessel

## Technical Specification

**Max Inlet Pressure (static):** 4 Bar  
**Max Inlet Temperature:** 95°C  
**Fluid Type:** Water  
**Glycol Mix:** Up to 50%  
**Material:** Mild Steel  
**Insulation Thickness:** 41mm

**Note:** Buffer vessels are supplied with wall / floor mounting brackets

Volume	C1	C2	H	L	D	E
25 L	1"	¾"	925	480	Ø290	160
50 L	1"	¾"	1008	580	Ø360	160
80 L	1 ¼"	1 ¼"	891	365	Ø469	160
100 L	1 ¼"	1 ¼"	1071	545	Ø469	160



## Additional Information

Available in 25, 50, 80 & 100 liter capacity

Acts as a buffer storing additional volume and also as a hydraulic separator, separating the primary and secondary circuits.

Premium polyurethane foam insulation with minimal heat loss

For use on both hot AND cold water systems

Improves the operating efficiency of heat pumps

Eliminates compressor pump short cycling

Adjustable wall bracket to assist in the event of an uneven install surface

Additional connections for venting and drainage

Zilmet UK, Airfield Industrial Estate, Hixon, Stafford, ST18 0PF

T. 01889 272185 F. 01889 272191 E. [sales@zilmet.co.uk](mailto:sales@zilmet.co.uk)

[www.zilmet.co.uk](http://www.zilmet.co.uk)